

M-1 Complete Core Rigs



Electric

10" Standard Bit Capacity, 14" w/Spacers

Features & Benefits

- 2-1/2" square column (mast) with black oxidized finish
- 6" wheels for easy mobility
- Dual switch/outlet control panel with amp meter (except for CB700 models with LED amp meter)
- Vacuum pump for quick mounting to flat surface without drilling an anchor hole (included with combination rig)
- 4 leveling screws on the base
- Up to 14" bit capacity with one spacer block
- Slide handle allows for drilling in tight areas
- Combination base is a quick change over from vacuum to anchor base
- Great for any contractor
- Ceiling jack helps keep the rig in place as a backup for anchoring or vacuuming the base down (used with a brace piece - 2 x 4 or other material)

M-1 Complete Combination Rig with CB748 motor



M-1 Complete Anchor Rig with Milwaukee motor



Improved Vacuum Seal Retention Keeps Vacuum Gasket Held Into the Base Longer for a Durable Seal

Core Rigs



(42" mast)



(42" mast)



(42" mast)



(42" mast)

Angle Combination Stand Only

Part #	Cat #
4245062	01799

For Milwaukee and CB748 motors

Motor mount plate for Milwaukee motors

Part #	Cat #
4648029	02159

Standard Combination Stand Only

Part #	Cat #
4245065	01801

Special Combo Stand for Milwaukee motors

Part #	Cat #
4241214	37567

Angle Anchor Stand Only

Part #	Cat #
4246070	01809

Standard Anchor Stand Only

Part #	Cat #
4246055	01806

Combo stands include stand, vacuum pump & control panel

Parts List #: 1801636
Operator Manual #: 1801993

COMPLETE M-1 COMBINATION DRILL RIGS WITH VACUUM PUMP

Model #	Motor	Motor RPM	Combo Rig Part #	Cat #	Product Weight (lbs.)
M1C-20-CB-V	20 Amp Core Bore CB748	350/900	4245055	01789	134
M1C-20-CB700-V	20 Amp Core Bore CB700	400/930	4245099	30076	136
M1C-20-CB700-V2	20 Amp Core Bore CB700 (no control panel)	400/930	4245102	30097	125
M1C-20-CB700-VA	20 Amp Core Bore CB700 (with angle mast)	400/930	4245101	30078	129
M1C-20-MW4004-V	20 Amp Milwaukee	300/600	4245048	01784	129
M1C-20-MW4096-V	20 Amp Milwaukee	450/900	4245059	01794	129
M1C-20-MW4005-V	20 Amp Milwaukee	600/1200	4245049	01785	129
M1C-15-MW4097-V	15 Amp Milwaukee	500/1000	4245051	01787	129
M1C-23-DK22-V	23 Amp Weka DK22	550/1120/1680	4245053	47173	117
M1C-23-DK22S-V	23 Amp Weka DK22S	800/1640/2430	4245046	50138	117

COMPLETE M-1 COMBINATION DRILL RIGS WITHOUT VACUUM PUMP

M1C-20-CB	20 Amp Core Bore CB748	350/900	4245071	65862	119
M1C-20-CB700	20 Amp Core Bore CB700	400/930	4245100	30077	114
M1C-20-MW4004	20 Amp Milwaukee	300/600	4245072	75375	108
M1C-20-MW4096	20 Amp Milwaukee	450/900	4245073	67092	108
M1C-20-MW4005	20 Amp Milwaukee	600/1200	4245074	74708	108
M1C-15-MW4097	15 Amp Milwaukee	500/1000	4245075	70125	108
M1C-23-DK22	23 Amp Weka DK22	550/1120/1680	4245077	71962	107
M1C-23-DK22S	23 Amp Weka DK22S	800/1640/2430	4245078	72583	107

COMPLETE M-1 ANCHOR DRILL RIGS

M1A-20-CB	20 Amp Core Bore CB748	350/900	4245001	01774	98
M1A-20-CB700	20 Amp Core Bore CB700	400/930	4245098	30070	98
M1A-20-MW4004	20 Amp Milwaukee	300/600	4245009	47162	91
M1A-20-MW4096	20 Amp Milwaukee	450/900	4245003	01776	91
M1A-20-MW4005	20 Amp Milwaukee	600/1200	4245010	01782	91
M1A-15-MW4097	15 Amp Milwaukee	500/1000	4245006	01780	91
M1A-23-DK22	23 Amp Weka DK22	550/1120/1680	4245008	52339	95
M1A-23-DK22S	23 Amp Weka DK22S	800/1640/2430	4245011	66795	95

CB700 Rigs do not include a control panel.
CB700 has a built-in amp meter.

Over a Thousand Different Ways to Build Your Custom Rig!

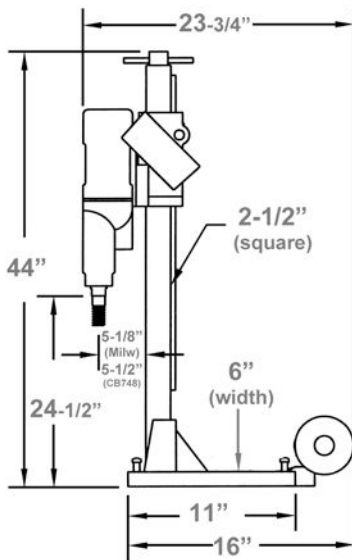
- Drill stand only includes:** Base, column (mast), carriage, ceiling jack, motor mount plate and wheels
- Complete combination rig includes:** Combo anchor/vacuum base, drill motor, column (mast), carriage, motor mount, control panel, vacuum pump, vacuum gasket, ceiling jack and wheel kit
- Complete anchor rig includes:** Small anchor base, drill motor, motor mount, column (mast), carriage, control panel, ceiling jack and wheel kit

Custom Combination Rig Components:

- Combo drill stand, Drill motor, optional control panel and optional vacuum pump

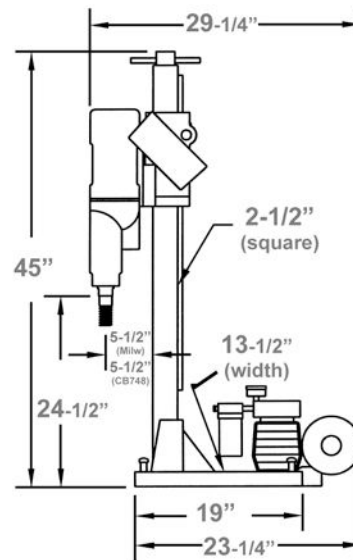
Custom Anchor Rig Components:

- Anchor drill stand, drill motor and optional control panel



M-1 ANCHOR

Location to drill anchor hole = 12" Measured from the center of the motor spindle to the center of the anchor slot on base



M-1 COMBINATION

Location to drill anchor hole = 12-1/2" Measured from the center of the motor spindle to the center of the anchor/vacuum slot on base