

Safe, controlled starts

When the safety control lever is moved upward, the console moves with it, providing more room for entry and exit. To prevent unexpected machine movement during entry or exit, the pilot and travel controls are then disabled. This is the only time that the engine will crank over.

Straight travel

Kubota's Hydraulic Matching System keeps the U17 traveling in a straight line while operating the boom, assisting in loading and off-loading.

U17 OPTIONS

Buckets

Spark arrest muffler

Travel alarm

Canopy lights

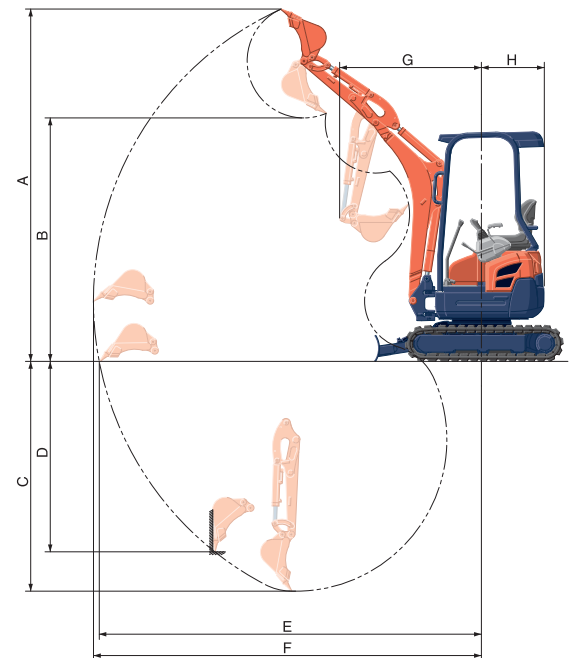
Quick coupler

Hydraulic hammer



WORKING RANGE

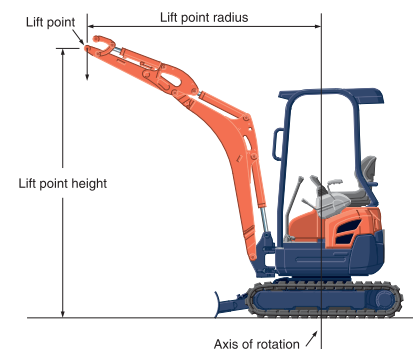
Model			U17	
A	Max. digging height	ft. in. (mm)	11'7" (3540)	
B	Max. dumping height	ft. in. (mm)	8'0" (2440)	
C	Max. digging depth	ft. in. (mm)	7'7" (2310)	
D	Max. vertical digging depth	ft. in. (mm)	6'3" (1910)	
E	Max. digging radius at ground	ft. in. (mm)	12'7" (3840)	
F	Max. digging radius	ft. in. (mm)	13'9" (3900)	
G	Min. turning radius	W/o swing	ft. in. (mm)	4'8" (1440)
		With swing	ft. in. (mm)	3'12" (1215)
H	Min. tail turning radius	ft. in. (mm)	2'0" (620)	



LIFTING CAPACITY

LIFT POINT HEIGHT (ft)	LIFTING CAPACITY OVER-FRONT BLADE DOWN unit=1000 lbs				LIFTING CAPACITY OVER-SIDE unit=1000 lbs		
	LIFT POINT RADIUS (ft)			LIFT POINT RADIUS (ft)			
	6	8	MAX	6	8	MAX	
6	0.73	0.83	-	0.73	0.63	-	
4	1.39	1.01	0.82	0.93	0.61	0.43	
2	1.79	1.14	0.84	0.86	0.58	0.42	
GL	0	1.66	1.12	0.80	0.83	0.56	0.41

Machine with ROPS canopy and rubber crawler, without bucket

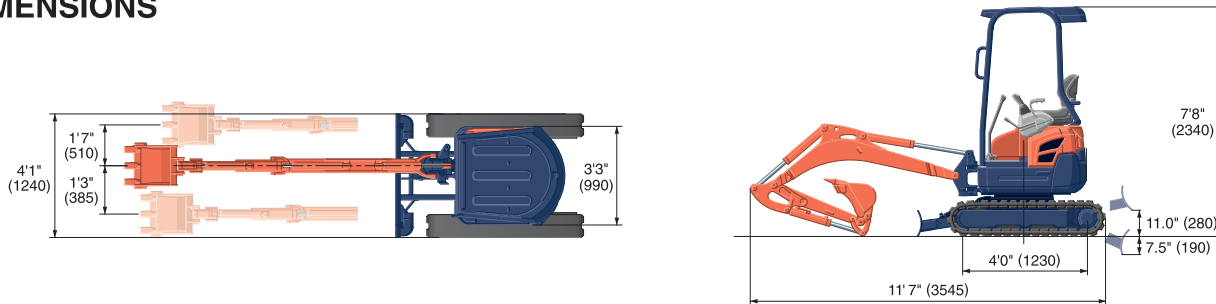


SPECIFICATIONS

Model		U17		
Type of ROPS / FOPS		Canopy		
Type of tracks		Rubber		
Engine	Model		Kubota D902-E3	
	Output (SAEJ 1995 gross)	HP (kW)/rpm	17.0 (12.7) / 2300	
	Output (SAEJ 1349 net)	HP (kW)/rpm	15.2 (11.3) / 2300	
	Displacement	cu. in. (cc)	54.8 (898)	
Dimensions	Overall length	ft. in. (mm)	11'7" (3545)	
	Overall height	ft. in. (mm)	7'8" (2340)	
	Overall width	ft. in. (mm)	3'3" (990) / 4'1" (1240)	
	Min. ground clearance	in. (mm)	5.9" (150)	
Hydraulic system	Pump capacity	GPM (ℓ/min)	4.57 (17.3) × 2 / 2.75 (10.4) × 1	
	Auxiliary hydraulic flow	GPM (ℓ/min)	7.32 (27.7)	
	Max. breakout force	Bucket / Arm lbs. (kgf)	3417.2 (1550) / 1918 (870)	
Drive system	Travel speed	Low / High mph (km/h)	1.4 (2.1) / 2.6 (4.1)	
	Max. drawbar pull	lbs. (kgf)	4865 (2207)	
	Tumbler distance	ft. in. (mm)	4'0" (1230)	
	Crawler length	ft. in. (mm)	5'2" (1585)	
	Shoe width	in. (mm)	9.1" (230)	
	Ground contact pressure	psi (kgf/cm ²)	3.8 (0.27)	
Swing system	Unit swing speed	rpm	9.1	
	Boom swing angle	Left / Right degree	65 / 58	
Blade	Dimensions	Width	ft. in. (mm)	4'1" (1240) / 3'3" (990)
		Height	in. (mm)	10.3" (260)
	Max. lift above ground	in. (mm)	11.0" (280)	
	Max. drop below ground	in. (mm)	7.5" (190)	
Hydraulic oil (reservoir / system)		gal (ℓ)	3.4 (13) / 6.1 (23)	
Fuel reservoir		gal (ℓ)	5.02 (19)	
Operating weight (Including operator's weight 175 lbs.)		lbs. (kgf)	3814 (1730)	

The company reserves the right to change specifications without notice. This brochure is for descriptive purposes only. Please contact your local Kubota dealer for warranty information. For your safety, Kubota strongly recommends the use of a Rollover Protective Structure (ROPS) and seat belt for almost all applications.

DIMENSIONS



Unit: ft. in. (mm)

©2008 Kubota Corporation

Kubota®

KUBOTA CANADA LTD.

Head Office: 5900 14th Avenue, Markham, Ontario L3S 4K4 TEL: (905) 294-7477 FAX: (905) 294-6651
 Delta Distribution Centre: 7979 82nd Street, Delta, B.C. V4G 1L7 TEL: (604) 940-6061 FAX: (604) 940-6067
 Drummondville Distribution Office: 5705 Place Kubota, Drummondville, PQ, J2B 6V4 TEL: (819) 478-7151 FAX: (819) 478-7836

Visit our web site at: www.kubota.ca

