

SPECIFICATIONS (TROWEL)

Table 1. J-Series Trowel Specifications

Model	J36H55/J36R60/J36S60	J36H90/J36R90	J36H90H/J36R90H	M30H55
Number of Blades	4			
Ring Diameter	36 in. (914 mm)			30 in. (762 mm)
Rotor RPM	60–115	60–130	90–155	60–130
Path Width	34.5 in. (876 mm)			28.67 in. (728 mm)
Shipping Weight	182 lb. (82.6 kg)	182 lb. (82.6 kg)	207 lb. (93.9 kg)	195 lb. (88.5 kg)

Table 2. B-Series Trowel Specifications

Model	B46H90/B46R90/B46H11	B46H11H	B46S90
Number of Blades	4		
Ring Diameter	46.5 in. (1,181 mm)		
Rotor - RPM	60–130	90–155	60–130
Path Width	46 in. (1,168 mm)		
Shipping Weight	285 lb. (129.3 kg)	300 lb. (136.1 kg)	

SPECIFICATIONS (ENGINE)

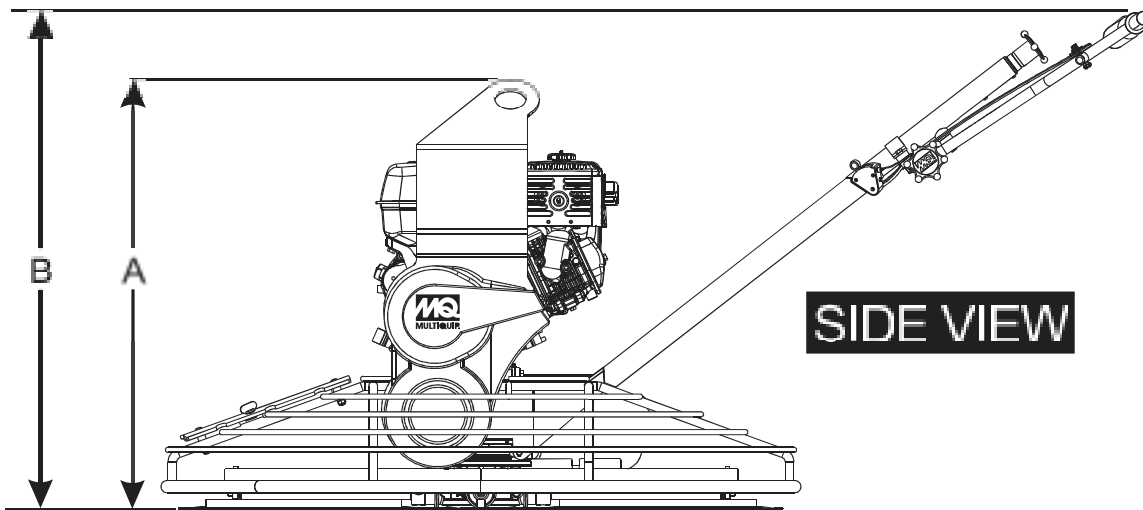
Table 3. Honda Engine Specifications

Model	Honda GX160UT2QX2	Honda GX270UTQA2	Honda GX340U1QAP2
Trowel	JH55C/M30H55	J36H90/J36H90H B46H90	B46H11/B46H11H
Type	Air-cooled, 4-stroke, single-cylinder, OHV, horizontal PTO shaft, gasoline engine		
Bore × Stroke	2.70 in. × 1.8 in. (69 mm × 46 mm)	3.0 in. × 2.3 in. (76 mm × 58 mm)	3.2 in. × 2.5 in. (81 mm × 64 mm)
Displacement	163 cm ³	270 cm ³	387 cm ³
Max Output	5.4 hp @ 3600 rpm	9 hp @ 3600 rpm	11 hp @ 3600 rpm
Fuel Tank Capacity	~ 0.95 U.S. gallons (3.6 liters)	~ 1.59 U.S. gallons (6.02 liters)	~ 1.72 U.S. gallons (6.5 liters)
Fuel	Unleaded gasoline		
Lube Oil Capacity	0.63 qt. (0.6 liters)	1.06 qt. (1.0 liters)	1.06 qt. (1.0 liters)
Oil Type	4-stroke API, SF or SG SAE 10W-30 general use		
Speed Control Method	Centrifugal flyweight type		
Starting Method	Recoil start		
Dimensions (L × W × H)	12.3 × 14.3 × 13.2 in. (312 × 363 × 335 mm)	14.0 × 16.9 × 16.1 in. (356 × 429 × 409 mm)	16.7 × 17.7 × 17.4 in. (424 × 450 × 442 mm)
Dry Net Weight	33.1 lb. (15 kg)	55.1 lb. (25 kg)	68 lbs (29 Kg.)

Table 4. Robin/Subaru Engine Specifications

Model	Robin EX170D50040	Robin EX270D50020	Subaru EX170DM2230	Subaru EX270D5E5013
Trowel	J36R60	J36R90/J36R90H B46R90	J36S60	B46S90
Type	Air-cooled, 4-stroke, slant single cylinder, OHC, horizontal PTO shaft, gasoline engine			
Bore × Stroke	2.64 in. × 1.89 in. (67 mm × 48 mm)	2.95 in. × 2.36 in. (75 mm × 60 mm)	2.64 in. × 1.89 in. (67 mm × 48 mm)	2.95 in. × 2.36 in. (75 mm × 60 mm)
Displacement	169 cm ³	265 cm ³	10.31 in ³ (169 cm ³)	265 cm ³
Max Output	5.7 hp @ 4000 rpm	9 hp @ 4000 rpm	5.7 hp @ 4000 rpm	9 hp @ 4000 rpm
Fuel Tank Capacity	~ 0.95 U.S. gallons (3.6 liters)	~ 1.59 U.S. gallons (6.02 liters)	~ 0.95 U.S. gallons (3.6 liters)	~ 1.59 U.S. gallons (6.02 liters)
Fuel	Unleaded gasoline			
Lube Oil Capacity	0.63 qt. (0.6 liters)	1.06 qt. (1.0 liters)	0.63 qt. (0.6 liters)	1.06 qt. (1.0 liters)
Oil Type	4-stroke API, SF or SG SAE 10W-30 general use			
Speed Control Method	Centrifugal flyweight type			
Starting Method	Recoil start			
Dimensions (L × W × H)	11.97 × 13.94 × 13.2 in. (304 × 354 × 335 mm)	13.82 × 16.54 × 16.14 in. (351 × 420 × 410 mm)	11.97 × 13.94 × 13.19 in. (304 × 354 × 335 mm)	13.82 × 16.54 × 16.14 in. (351 × 420 × 410 mm)
Dry Net Weight	33.1 lb. (15 kg)	46.3 lb. (21 kg)	33.1 lb. (15 kg)	46.3 lb. (21 kg)

DIMENSIONS



Standard Handle Shown

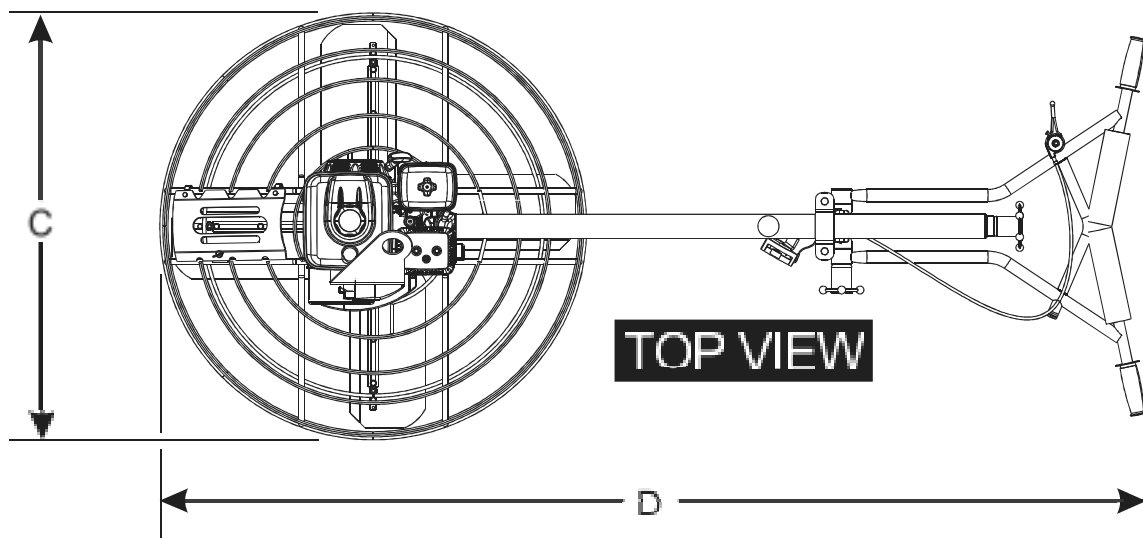


Figure 1. Trowel Dimensions

Table 7. Trowel Dimensions			
Model	J36 Series	M30H55	B46 Series
(A) Height (Lifting Bale)	27 in. (686 mm)	26 in. (660 mm)	31.5 in. (800 mm)
(B) Height (Handle)	41.5 in. (1,054 mm)		
(C) Width (Ring Diameter)	36 in. (914 mm)	30 in. (762 mm)	46.5 in. (1,181 mm)
(D) Length	74 in. (1,880 mm)	68 in. (1,727 mm)	81.4 in. (2,068 mm)