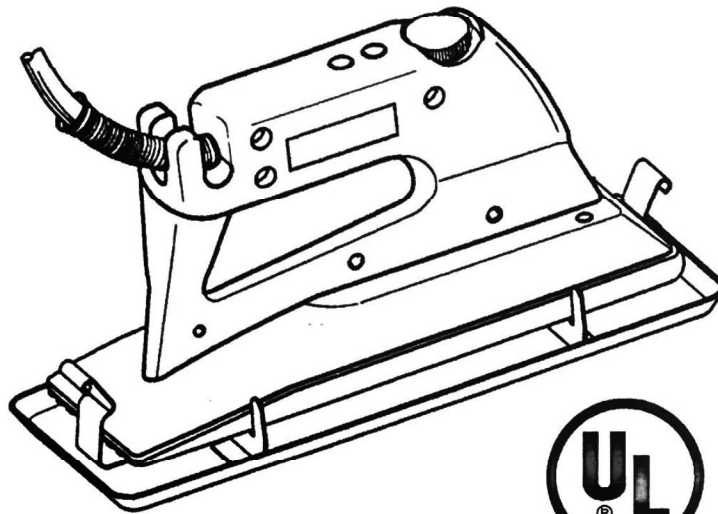


JAN 2008

INSTRUCTION MANUAL FOR



 **CRAIN**

#920 DELUXE HEAT BOND IRON



**Made in
America**

IMPORTANT SAFEGUARDS

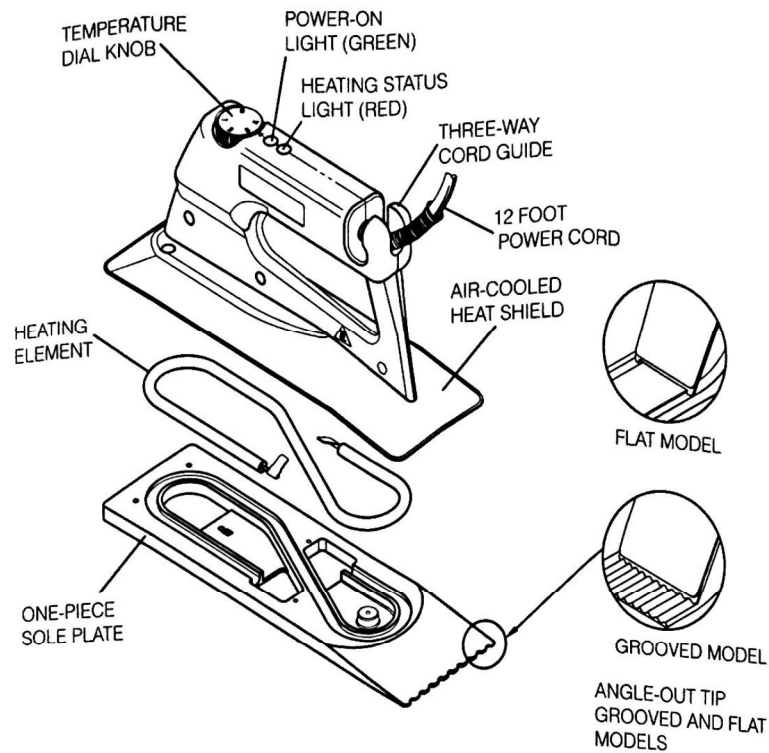
When using your iron, basic safety precautions should always be observed, including the following:

- Please read all instructions.
- To protect against a risk of electric shock, do not immerse the iron in water or other liquids.
- The iron should always be turned to OFF before plugging or unplugging from outlet. Never yank cord to disconnect from outlet; instead, grasp plug and pull to disconnect.
- Do not allow cord to touch hot surfaces. Let iron cool completely before changing sole plate or putting away.
- Loop cord loosely around iron handle when storing.
- Do not operate iron with a damaged cord or if the iron has been dropped or damaged. To avoid the risk of electric shock, do not disassemble the iron. Take it to an authorized dealer or send it back to us for examination and repair. Incorrect reassembly can cause a risk of electric shock.
- Close supervision is necessary for any appliance being used near children. Do not leave iron unattended.
- Burns can occur from touching hot metal parts.
- This product is intended for use with carpet seaming tapes ONLY.

Special instructions:

- This is an 800-watt appliance. To avoid a circuit overload, do not operate another high wattage appliance on the same circuit.
- This iron has a three-prong, grounded plug. It should be plugged into three-hole outlets. If an adapter is used to accommodate a two-prong outlet, adapter wire must be attached to a known ground. NEVER remove ground terminal from a three-prong plug.
- If an extension cord is absolutely necessary, a 10-ampere cord should be used. Cords rated for less amperage may overheat, causing slow heat-up of the iron. Care should be taken to arrange the cord so that it cannot be pulled on or tripped over.
- DO NOT IMMERSE IN WATER!

SAVE THESE INSTRUCTIONS



Features:

Heating Element: Uses an “S”-shaped heating element, creating more uniform heat throughout the sole plate.

Air-cooled Heat Shield: At maximum heat setting, the heat shield stays remarkably cool, at only 220° F. With this temperature, it is still hot enough to preheat the carpet's backing to accept the hot melt adhesive.

Dual Indicator Lights: Situated on top of the handle, the lights are easy to read and show both “power-on” and “heating status”.

Power-On Light: Green indicator light, glows when the iron is plugged into an electric outlet and is in use. If the Temperature Dial Knob is turned Off, the light will continue to glow as long as the iron is plugged in. (Note: If the Thermo-Cutoff Fuse (P/N 1920-P) is burned-out, this green light will be OFF).

Heating Status Light: Red indicator light, which glows during the heat-up period, and then turns-off when the maximum temperature is reached. While operating, the light will continue going on and off whenever the iron is reheating itself.

Angle-Out Tip: Both Flat and Grooved Sole Plates have an angle-out tip at the back, this feature will prevent “dragging-off” the hot melt adhesive, especially in doorway situations where the iron is removed by angling it up and out.

12' Power Cord: The cord is long enough for most average rooms without using an extension cord.

Three-way cord guide: Keeps the cord out of user's way.

Temperature Dial Knob: Situated on top of the handle, it is easy to read. There are four temperature settings, ranging from 220°F to 420°F.

Table Of Settings:

Position	#1 = 220°F Max.
	#2 = 290°F
	#3 = 360°F
	#4 = 420°F

Using the iron:

■ Set the temperature dial knob to its highest setting (#4). Once the iron has heated, adjust it to a safe temperature for the kind of carpet and ambient temperature where you're installing. Be careful not to overheat carpets with synthetic backings or yarns, as shrinking and discoloration may result. If iron is running too cool, a weak seam may result. A test seam is often a good idea.

■ When proper temperature has been selected, place iron between carpet edges, and on top the seaming tape. When the adhesive is thoroughly melted, move the iron and press the carpet's backing into the adhesive.

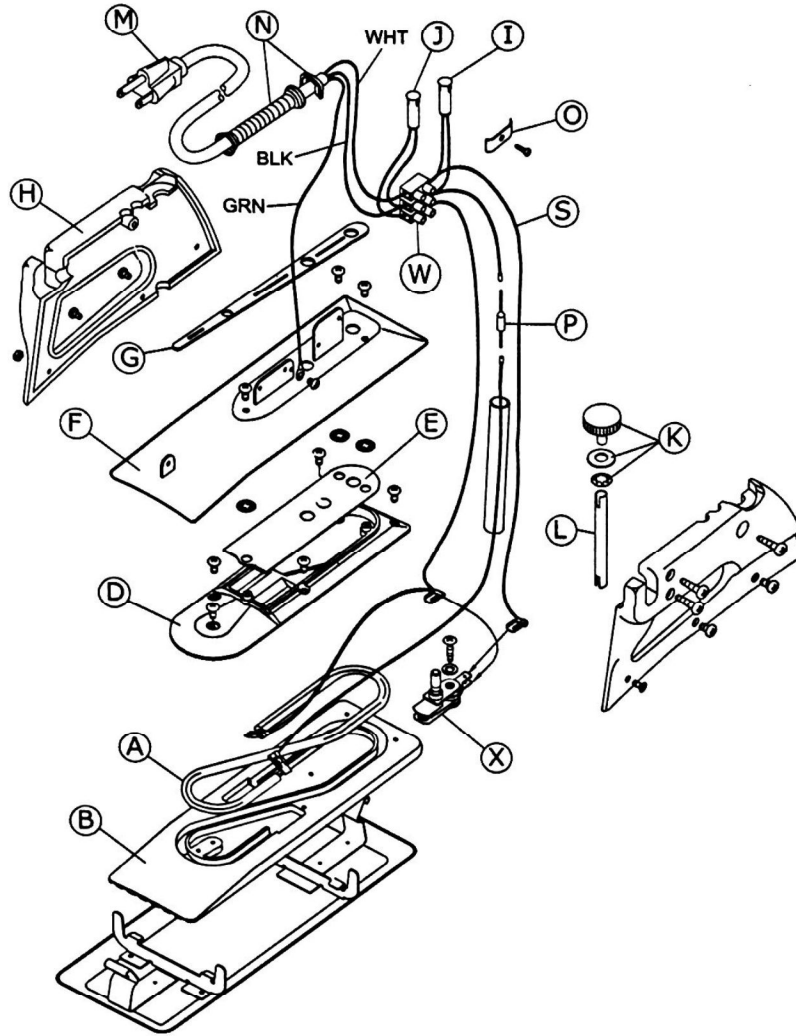
■ Operating speed varies, depending on carpet construction and ambient temperature. At maximum temperature, the iron should seam at 3 to 4 feet per minute.

Iron Maintenance:

The sole plate of your iron is coated with a self-cleaning teflon material. Do not use a metal iron cleaning device or any sharp object to remove old adhesive. To remove old adhesive, let the iron cool completely, and peel off adhesive by hand.

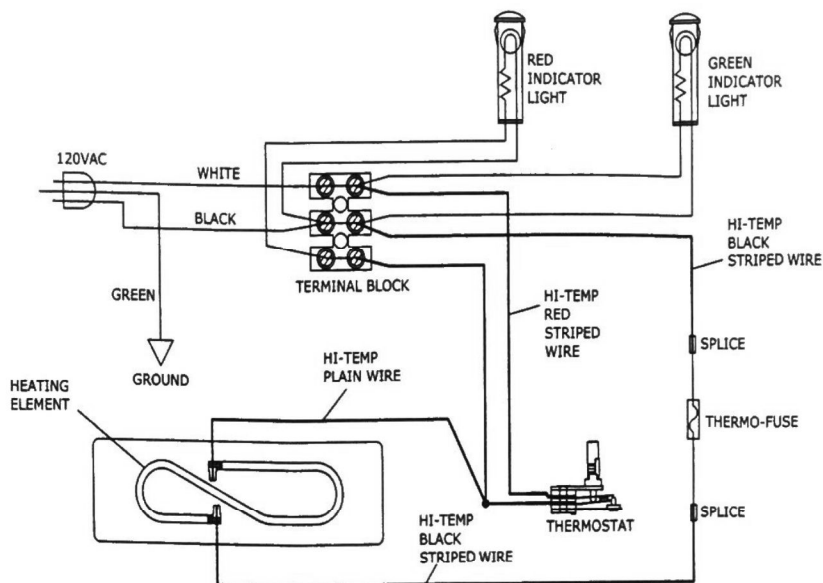
Another method of removing adhesive is to let your iron cool on a piece of seam tape, then after the iron is cooled, peel the tape off the base. This removes all adhesive quickly and easily.

REPLACEMENT PARTS



Order#	Description
1920-A	Heating Element
1920-AV	220V Heating Element
1920-B1	S/C Grooved Sole Plate
1920-B2	S/C Flat Sole Plate
1920-D	Element Cover w/Screws
1920-E	Top Cover w/Lock Washers
1920-F	Heat Shield
1920-G	Handle Gasket
1920-H	Handle Set w/Screws
1920-I	Power-on Light (green)
1920-IV	220V Power-on Light (green)
1920-J	Heating Indicator Light (red)
1920-JV	220V Heating Indicator Light (red)
1920-K	Dial Knob w/Washers
1920-L	Extending Tube
1920-M	Power Cord
1920-N	Pigtail Spring & Clip
1920-O	Light Holder & Screw
1920-P	Fuse
1920-S	Wiring Harness Set
1920-W	Terminal Block
1920-X	Adjustable Thermostat

WIRING DIAGRAM



SPECIFICATIONS

MODEL NO:	920	920V
VOLTAGE:	120 Volts	220Volts
AMPERAGE:	7 Amps	4 Amps
WATTAGE:	800 Watts	800 Watts
TEMPERATURE RANGE:	220°F-420°F	220°F-420°F

GUARANTEE

This Crain #920 Deluxe Heat Bond Iron is guaranteed to be free of defects in workmanship or quality of materials for a period of 2 years.

Any parts of tool found defective subject to the guarantee will be replaced at no charge. Credit in full or part cannot be extended by the distributor, nor will new tools be given as replacements or loaners.

Tools subject to this warranty must be accompanied by the same, and returned freight PREPAID to Milpitas, CA, and must be in assembled condition.

CRAIN CUTTER CO., INC.

MILPITAS, CA 95035-5426

PHONE (408) 946-6100