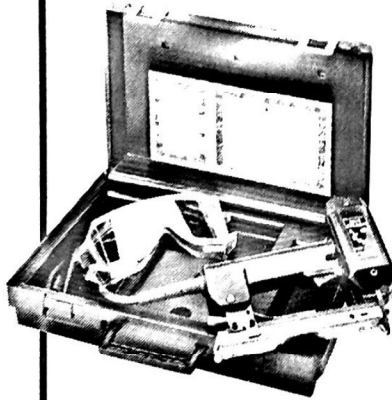
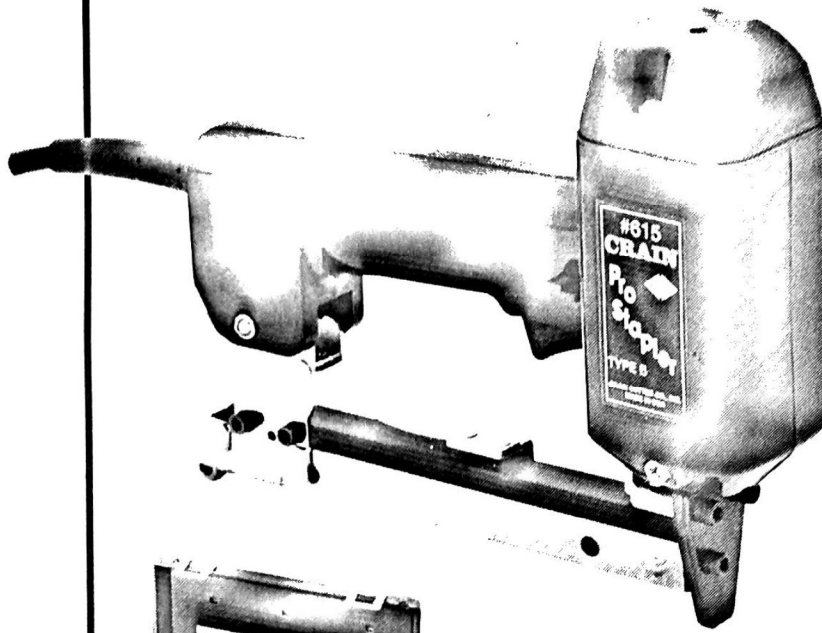


INSTRUCTION MANUAL FOR



CRAIN

No. 615 PRO STAPLER KIT



Made in
America

NOV 2007

Congratulations on your purchase of a Crain No. 615 Pro Stapler! This tool is a proven winner for power and durability. The Pro Stapler features:

- Low overall height that fits under stair risers
- High-impact plastic shell for long-lasting durability
- Powerful 11 AMP solenoid that will drive into hardwoods

IMPORTANT SAFETY INSTRUCTIONS

For proper operation, please take time to carefully read all the instructions and rules for safe operation in this booklet.

SAFETY GLASSES:

Always wear safety glasses when using this tool, especially when loading staples or clearing jams.

SAFETY SWITCH:

This tool is designed with a safety switch to prevent accidental firing. Turn the safety switch so that it reads **OFF** whenever you need to plug in the gun, load staples, clear a jam, or leave the gun unattended.

PREVENT ACCIDENTS:

NEVER point the gun at another person. Unplug the tool when you are walking from room to room.

POWER TOOL RULES

GROUND ALL TOOLS:

Power tools equipped with 3-prong plugs should be plugged into 3-hole outlets. If adapter is used to accommodate a 2-prong outlet, adapter wire must be attached to known ground. **NEVER** remove ground terminal from a 3-prong plug.

CORD ABUSE:

Never carry tools by the cord or yank the cord to disconnect from an outlet. Keep cords away from heat, oil, or sharp edges. Use proper outdoor extension cords when using tools outdoors.

DANGEROUS ENVIRONMENTS:

Keep work areas clean; clutter invites accidents. Do not use power tools in damp or wet locations. Be sure lighting is good.

MAINTENANCE:

Keep power tools clean and in good working order. Store in clean, dry place when not in use.

OPERATING INSTRUCTIONS

TRIGGER:

Each pull of the trigger, which is located under the handgrip, completes one cycle and fires one staple. Make sure your finger is not on the trigger when connecting or loading your staple gun. Do NOT point the staple gun at anyone!

ON/OFF TRIGGER SAFETY SWITCH:

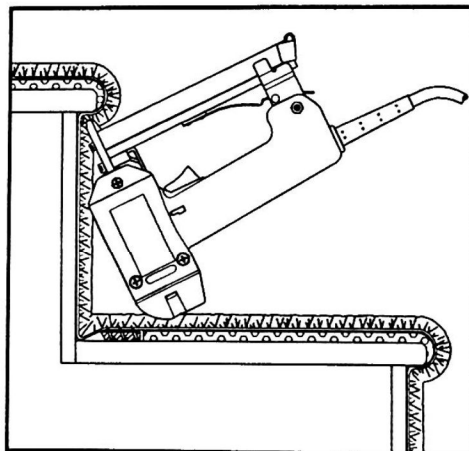
The staple gun is equipped with a sliding on/off safety switch, located above the trigger at the front of the hand grip, which is used to prevent accidental firing. Be sure the safety switch reads OFF when connecting or loading the staple gun and when not in use.

TO LOAD STAPLES:

1. Make sure staple gun is unplugged and safety switch reads OFF.
2. Turn staple gun upside-down and slide magazine assembly backward, fully open.
3. Drop staple strip into channel support, points facing up.
4. Close magazine assembly until it locks in place.

TO OPERATE:

1. Use safety glasses!
2. Plug into a 115 volt/15 amp outlet.
3. Slide trigger safety switch to ON position.
4. Hold staple gun firmly against work surface and place palm of free hand firmly on the aluminum cap.
5. Squeeze trigger to fire.
6. Avoid using long extension cords, as they will noticeably reduce the tool's drive strength. If you must, use heavy-duty 3-wire cords with these minimum wire sizes:
25' = 16 gauge wire
50' = 14 gauge wire



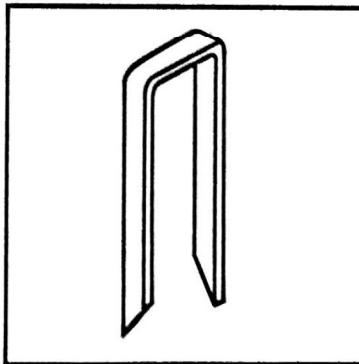
ROUNDED CAP FITS UNDER STAIR RISERS EASILY!

MAINTENANCE

1. To clear a jam, put trigger safety switch in OFF position and unplug the gun. Turn gun upside-down and slide magazine assembly backward. Remove cause of jam and close magazine assembly until it locks.
2. Use a clean cloth to remove dirt from the staple gun. Avoid using solvents when cleaning plastic parts.
3. DO NOT lubricate. The staple gun does not require oil or grease to operate.
4. In the event of a malfunction, DO NOT attempt to repair staple gun yourself. Refer to warranty for service information.
5. CAUTION: DO NOT alter, attach special fixtures to, or "redesign" parts of the staple gun. DO NOT fire without staples, as this may cause damage to the gun.

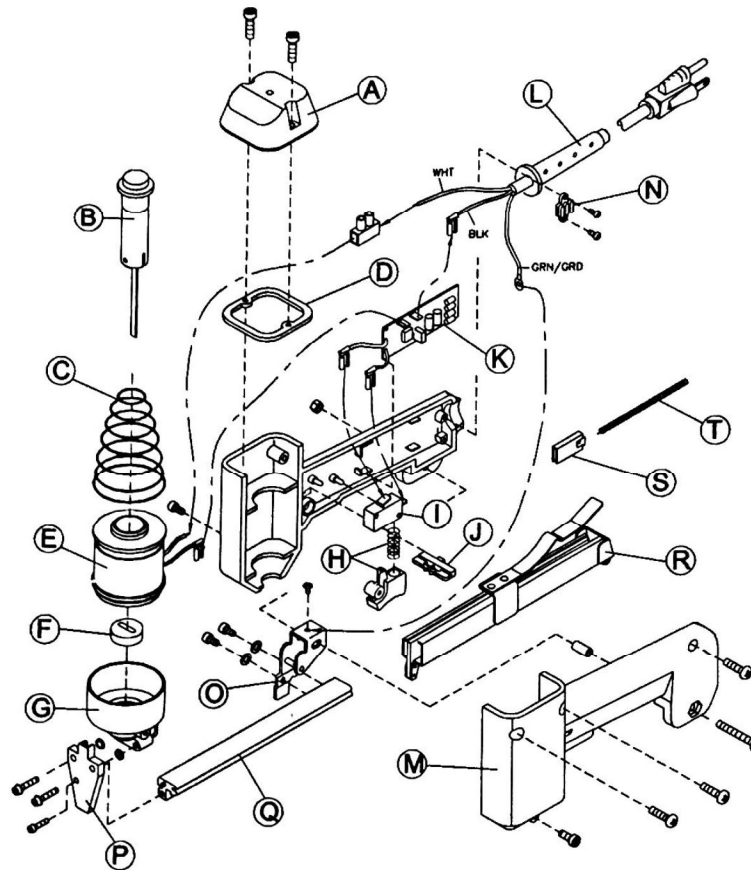
STAPLE SELECTION:

The No. 615 Pro Stapler uses standard Crain No. 619D, Duo Fast No. 5418 or No. 5415 electric tacker staples (or generics)



CRAIN NO. 619D $\frac{3}{16}$ "
LENGTH DIVERGENT

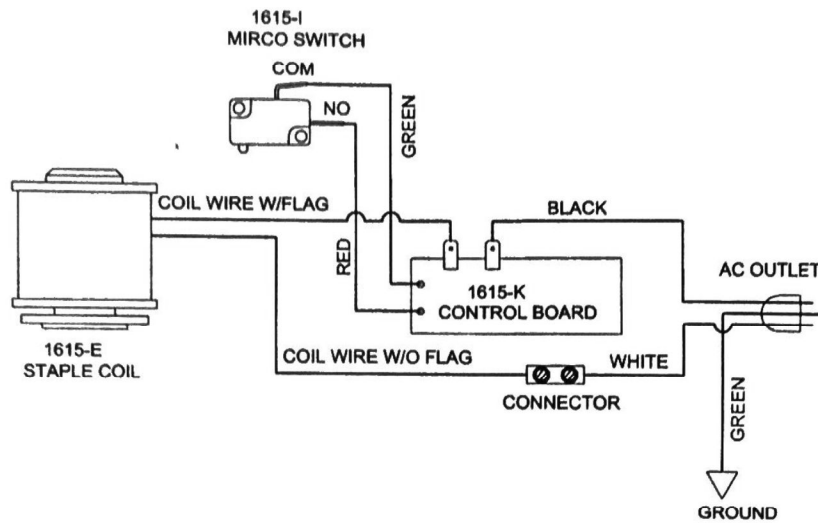
REPLACEMENT PARTS AND ORDERING INFORMATION



Order No.	Description
1615-A	Aluminum Cap
1615-B*	Driver Assembly
1615-C*	Driver Spring
1615-D	Retainer Ring & Screws (2)
1615-E*	Staple Coil
1615-F*	Coil Buffer
1615-G	Coil Housing & Screws (4)
1615-H	Trigger & Spring
1615-I*	Micro Switch
1615-J	Trigger Lock
1615-K	Control Board
1615-L	Power Cord Set
1615-M	Handle Set & Screws (4)
1615-N	Cord Holder & Screws (2)
1615-O**	Mounting Bracket & Screw
1615-P*	Staple Driver
1615-Q**	Channel Support & Screw
1615-R**	Magazine Assembly
1615-S**	Staple Pusher
1615-T*	Pusher Spring
1616-A	Case Only

* Same for No. 830 Pro Tacker
 ** Items are not interchangeable with No. 830. Please specify black or nickel-plated magazine before ordering parts.

WIRING DIAGRAM



GUARANTEE

This Crain tool is guaranteed to be free of defects due to faulty materials or workmanship for a period of 6 months.

During this period, any parts of tools found defective subject to the guarantee will be replaced at no charge. Returns should be sent freight PREPAID, in assembled condition and with a copy of the Bill of Sale (proof of purchase) to CRAIN CUTTER COMPANY, Milpitas, CA 95035. New tools or loaners will not be given for those pending warranty repairs.

No claims shall exceed in amount the suggested sales price of the product. No other guarantee, oral or written, is expressed or implied.

CRAIN CUTTER CO., INC.

1155 WRIGLEY WAY, MILPITAS, CA 95035-5426
TEL: 408-946-6100 FAX: 408-946-4268