

Appliance Trucks

Revised March, 1998

Replacement Parts List

ENGLISH

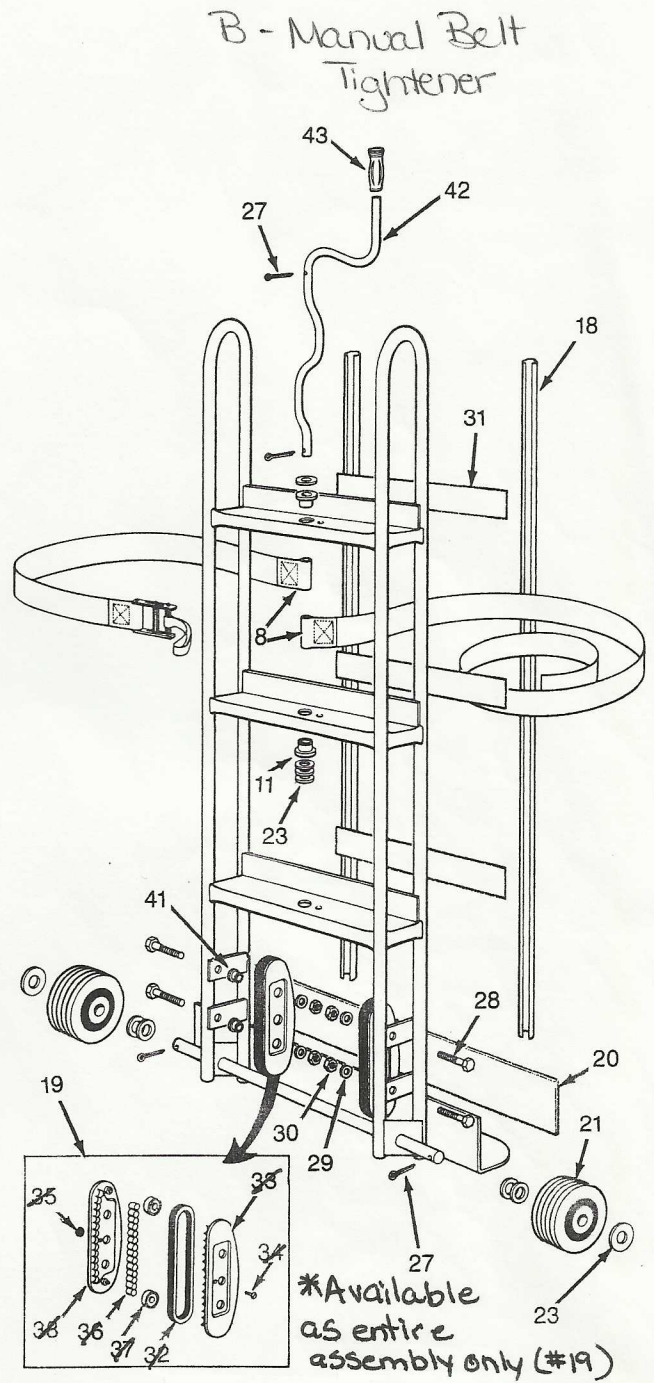
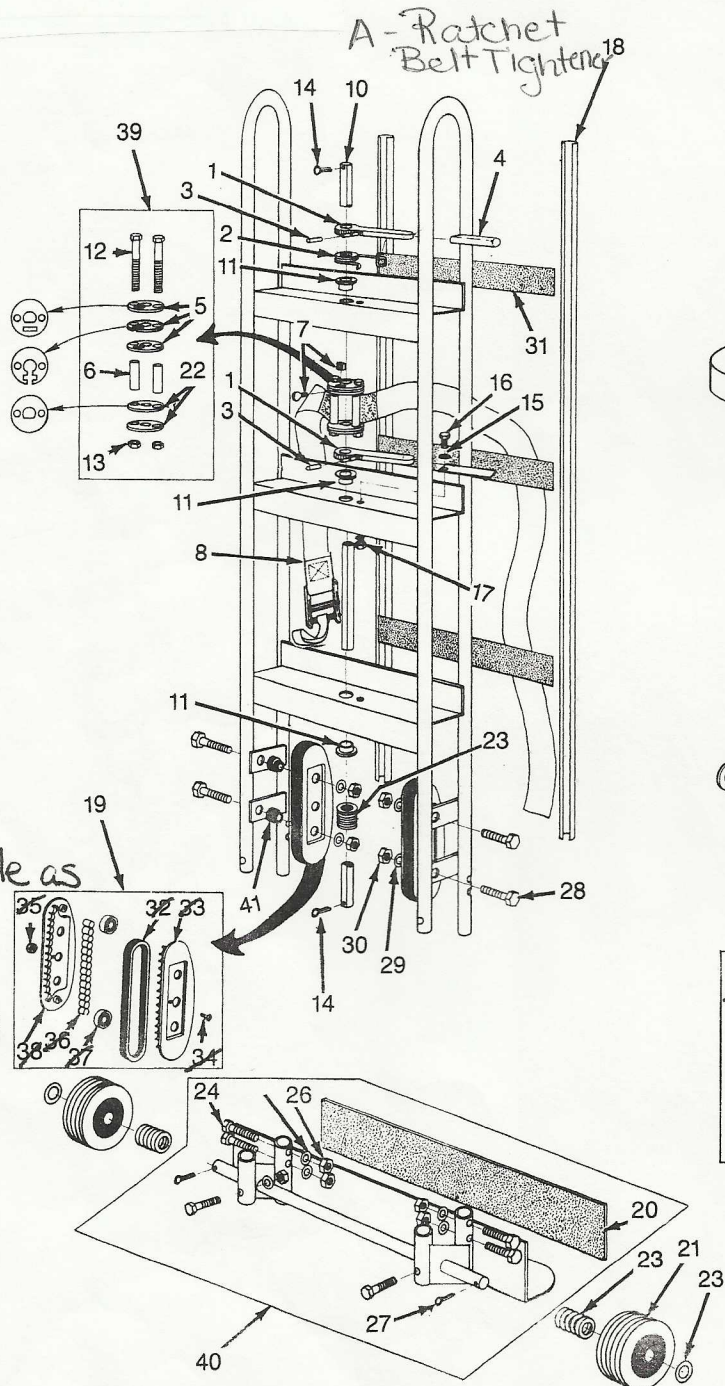
Ref. No.	Description	Part Number for Model:		Qty.	Part Number for Model:	
		A	B			Qty.
1	• Ratchet only	800	800	2	-	-
2	• Ratchet holding spring	801	801	1	-	-
3	• Plastic pin cap OBS			2	-	-
4	• Plastic cup for ratchet	802	802	1	-	-
5	• Belt bracket disc (Top)	809	809	3	-	-
6	• 2 1/4" Spacer tube	803	803	2	-	-
7	• 1/4-20 Thumb screw with nut	805	805	1	-	-
8	■ Belt with roller buckle	860	860	1	00860	1
10	• 5/8 x 29 1/2" Ratchet & bracket shaft	LS2354	LS2354	1	-	-
11	• Plastic bushing	H467	H467	3	G467	2
12	• 5/16-18 x 3 3/4" Hex head bolt	807	807	2	-	-
13	• 5/16-18 Locknut	319	319	2	-	-
14	• 5/32 x 1 1/2" Cotter pin	966	966	2	-	-
15	• 1/4 x 1" Washer	4720	4720	1	-	-
16	• 1/4-20 x 1 1/4" Hex head bolt	322	322	1	-	-
17	• 1/4-20 Locknut	318	318	1	-	-
18	Vertical load protector	858	858	2	00858	2
19	Stair climber assembly	2350	2350	2		2
20	1/4 x 3 x 23 1/2" Felt protector OBS			1		1
21	Wheel	R6907	R6907	2	R6907	2
22	• Belt bracket disk (Bottom)	00809A	00809A	2	-	-
23	5/8 x 1" Washer	960	960	12	960	10
24	1/4-20 x 1 3/4" Hex head bolt (Grade 5)	-	4028	6	-	-
25	1/4-20 Locknut	-	318	6	-	-
26	1/4 x 1" Washer	-	4720	6	-	-
27	5/32 x 1 1/2" Cotter pin	966	966	2	966	4
28	3/8 -16 x 1 1/4" Hex head bolt	1552	1552	4	1552	4
29	3/8 x 1" Washer	702	702	4	702	4
30	3/8-16 Locknut	P1020	P1020	4	P1020	4
31	Felt protector OBS			3		3
32	"V" Belt OBS			2		2
33	Stair climber plate (right) OBS			1		1
34	10-32 x 1/4" Slotted machine screw OBS			1		1
35	10-32 Nut OBS			1		1
36	Roller OBS			14		14
37	Large roller OBS			2		2
38	Stair climber plate (left) OBS			1		1
39	■ Belt holder assembly OBS			1	-	-
40	Steel toe plate/axle assembly	†		1	†	-
41	Bushing OBS			4		4
42	Belt tightener handle	-	-	-	ECC271	1
43	Handle grip	-	-	-	802	1
• *	Ratchet assembly complete	2354A	2354A	1	-	-
■				1	-	-



24 hours a day - 365 days a year

Please provide the following information:

- Model number
- Serial number (if any)
- Part description and number as shown in parts list



E
N
G
L
I
S
H