

Please read and save these instructions. Read carefully before attempting to assemble, install, operate or maintain the product described. Protect yourself and others by observing all safety information. Failure to comply with instructions could result in personal injury and/or property damage! Retain instructions for future reference.

Dayton® Appliance Trucks

E
N
G
L
I
S
H

Description

Dayton models 3W042I, 3W311C and 4W326I are equipped with continuous belt stair crawlers. Models 3W042I and 3W311C have an adjustable ratchet take-up strap. Model 4W326I has a manual belt tightener. Models 3W042I and 4W326I are constructed of tubular steel.

Unpacking

After unpacking the unit, inspect carefully for any damage that may have occurred during transit. Check for missing, damaged or loose parts.

General Safety Information

Before moving loaded appliance truck always secure load to truck with ratchet take-up belt, provided. Do not overload beyond maximum capacity. KEEP HANDS AND FEET away from load when climbing stairs.

1. Do not operate product with broken or inoperable adjustment ratchet take-up strap mechanism.
2. Only use identical replacement parts when repairing unit.
3. Periodically check unit for damage that will cause unsafe operation.

Operation

MODELS 3W042I & 3W311C (Figure 2)

1. Place belt around load; using thumb screw, adjust belt holder position if desired.
2. Insert long end of belt and pull through sliding roller buckle as shown (See Figure 3).
3. Pull until belt is tight.
4. Tie half hitch knot (See Figure 4).

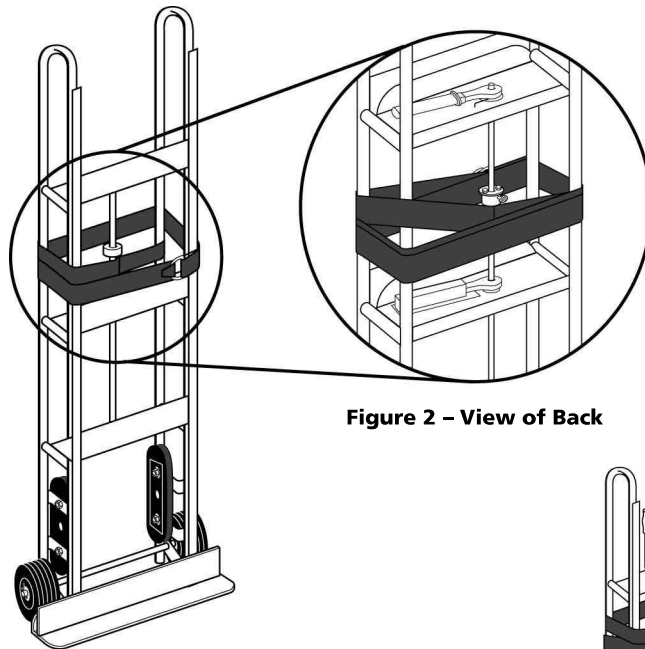


Figure 2 - View of Back

Figure 2 - 3W042I, 3W311C

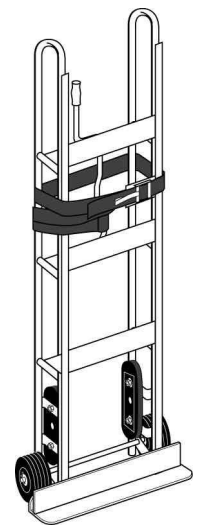


Figure 1 - 4W326I



Figure 3



Figure 4

Specifications


Maximum Capacity	Overall Height	Overall Width	Noseplate	Wheels
700 Lbs.	60"	24"	4 1/2 x 24"	6 x 2" Solid Rubber with 5/8" Sleeve Bearings

Dayton® Appliance Trucks

E
N
G
L
I
S
H

Operation (Continued)

 **This hand truck is NOT to be used for lifting or transporting people.**

 **Observe safety measures when handling heavy objects.**

5. **To Lock Load:** Move **both** ratchet levers to "lock" position (left), actuate top ratchet until load is locked to truck.

6. **To Release Load:** Move **both** ratchet levers to "release" position (right), actuate top ratchet until belt is slack and pull belt through roller buckle.

7. Periodically inspect unit and tighten all fasteners.

MODEL 4W326H (Figure 1)

1. **To Secure Load to Appliance Truck:** Place belt around load.

2. Insert long end of belt and pull through sliding roller buckle as shown (See Figure 3).

3. Pull until belt is tight.

4. Tie half hitch knot (See Figure 4.)

5. **To Lock Load:** Turn belt tightener handle clockwise from right to left

 until it stops.
Keep hands away from stopping location of handle.

6. **To Release Load:** Turn belt tightener handle in opposite direction.

Maintenance

Check belt periodically for signs of wear. Replace as needed. Check all fasteners and tighten as necessary.

Troubleshooting Chart

Symptom	Possible Cause(s)	Corrective Action
Load cannot be locked or released from truck	Both ratchet levers have not been moved to " Lock " or " Release " position	Move both ratchet levers to desired position

LIMITED WARRANTY

DAYTON ONE-YEAR LIMITED WARRANTY. Dayton® Appliance Trucks, Models covered in this manual, are warranted by Dayton Electric Mfg. Co. (Dayton) to the original user against defects in workmanship or materials under normal use for one year after date of purchase. Any part which is determined to be defective in material or workmanship and returned to an authorized service location, as Dayton designates, shipping costs prepaid, will be, as the exclusive remedy, repaired or replaced at Dayton's option. For limited warranty claim procedures, see PROMPT DISPOSITION below. This limited warranty gives purchasers specific legal rights which vary from jurisdiction to jurisdiction.

LIMITATION OF LIABILITY. To the extent allowable under applicable law, Dayton's liability for consequential and incidental damages is expressly disclaimed. Dayton's liability in all events is limited to and shall not exceed the purchase price paid.

WARRANTY DISCLAIMER. Dayton has made a diligent effort to provide product information and illustrate the products in this literature accurately; however, such information and illustrations are for the sole purpose of identification, and do not express or imply a warranty that the products are MERCHANTABLE, or FIT FOR A PARTICULAR PURPOSE, or that the products will necessarily conform to the illustrations or descriptions. Except as provided below, no warranty or affirmation of fact, expressed or implied, other than as stated in the "LIMITED WARRANTY" above is made or authorized by Dayton.

PRODUCT SUITABILITY. Many jurisdictions have codes and regulations governing sales, construction, installation, and/or use of products for certain purposes, which may vary from those in neighboring areas. While Dayton attempts to assure that its products comply with such codes, it cannot guarantee compliance, and cannot be responsible for how the product is installed or used. Before purchase and use of a product, review the product applications, and all applicable national and local codes and regulations, and be sure that the product, installation, and use will comply with them.

Certain aspects of disclaimers are not applicable to consumer products; e.g., (a) some jurisdictions do not allow the exclusion or limitation of incidental or consequential damages, so the above limitation or exclusion may not apply to you; (b) also, some jurisdictions do not allow a limitation on how long an implied warranty lasts, consequently the above limitation may not apply to you; and (c) by law, during the period of this Limited Warranty, any implied warranties of implied merchantability or fitness for a particular purpose applicable to consumer products purchased by consumers, may not be excluded or otherwise disclaimed.

PROMPT DISPOSITION. Dayton will make a good faith effort for prompt correction or other adjustment with respect to any product which proves to be defective within limited warranty. For any product believed to be defective within limited warranty, first write or call dealer from whom the product was purchased. Dealer will give additional directions. If unable to resolve satisfactorily, write to Dayton at address below, giving dealer's name, address, date, and number of dealer's invoice, and describing the nature of the defect. Title and risk of loss pass to buyer on delivery to common carrier. If product was damaged in transit to you, file claim with carrier.

Manufactured for Dayton Electric Mfg. Co., 5959 W. Howard St., Niles, Illinois 60714 U.S.A.

Dayton®

For Repair Parts, call 1-800-323-0620

24 hours a day - 365 days a year

Please provide the following information:

- Model number
- Serial number (if any)
- Part description and number as shown in parts list

Address parts correspondence to:

Grainger Parts
 P.O. Box 3074
 1657 Shermer Road
 Northbrook, IL 60065-3074 U.S.A.

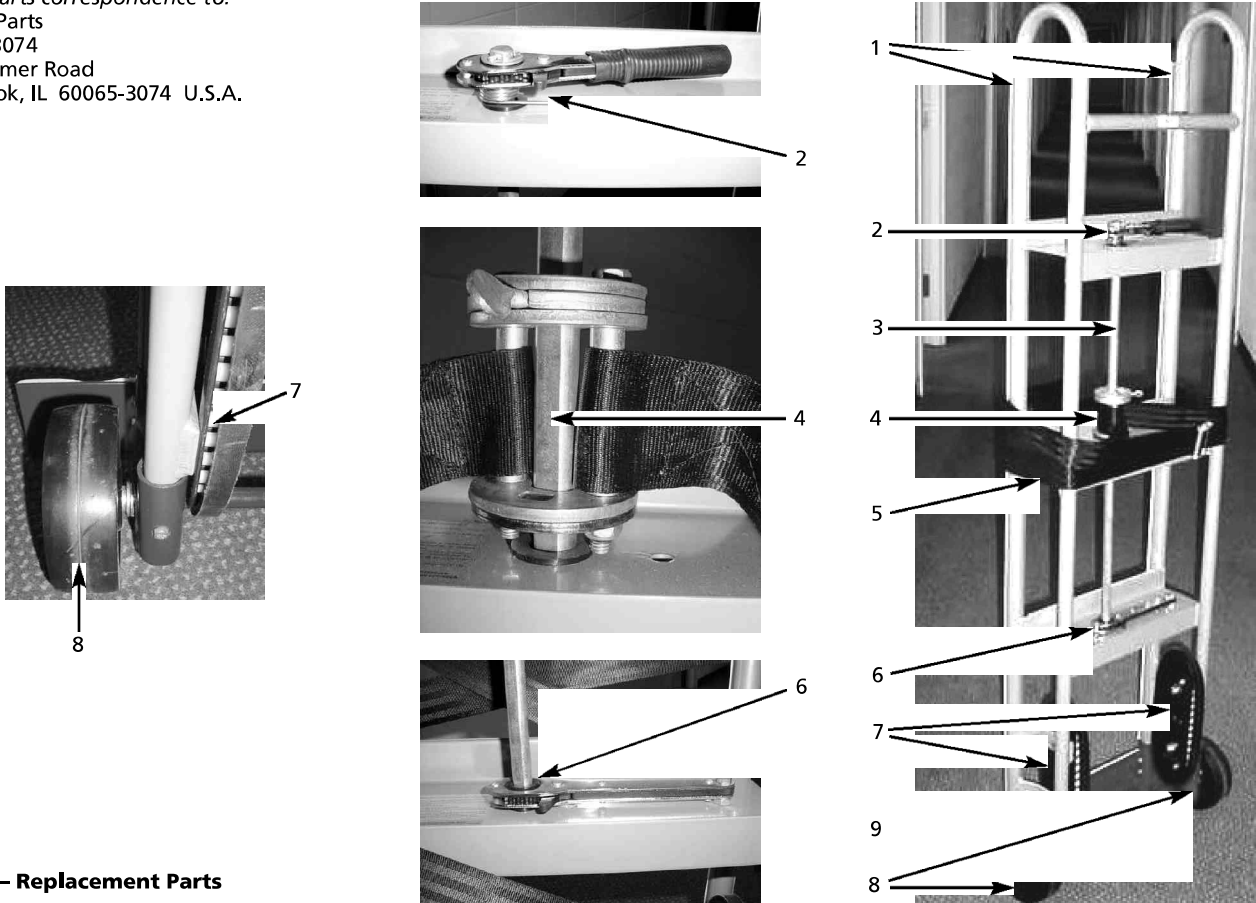


Figure 5 – Replacement Parts

Replacement Parts List

Ref. No.	Description	3W042I	3W311C	QTY
1	Cushion Strip, Yellow/White	CS-042	CS-042	2
2	Upper Ratchet Assembly (Includes Torsion Spring, Rubber Handle)	URA-042	URA-042	1
3	Ratchet Shaft	RS-042	RS-042	1
4	Belt Spool Assembly (Belt not included)	BS-042	BS-042	1
5	Belt Set with Buckle	B-042	B-042	1
6	Lower Ratchet	LR-042	LR-042	1
7	Stair Climber Assembly, (Includes 2 Plastic Spacers, 2 Bolts, 4 Washers, 2 Lock Nuts)	SC-042	SC-042	2
8	Wheel, Hard Rubber	W-042	W-042	2
9	Nose/Toe Plate Assembly	-	NPA-311	1
10	Wheel Hardware Kit (Includes 1 Cotter Pin, 3 Washers)	WHK-042	WHK-042	2
11	Ratchet Shaft Hardware Kit (Includes 3 Plastic Bushings, 5 Steel Washers, 2 Cotter Pins)	RSHK-042	RSHK-042	1

E
N
G
L
I
S
H

For Repair Parts, call 1-800-323-0620

24 hours a day - 365 days a year

Please provide the following information:

- Model number
- Serial number (if any)
- Part description and number as shown in parts list

Address parts correspondence to:

Grainger Parts
 P.O. Box 3074
 1657 Shermer Road
 Northbrook, IL 60065-3074 U.S.A.

E
N
G
L
I
S
H

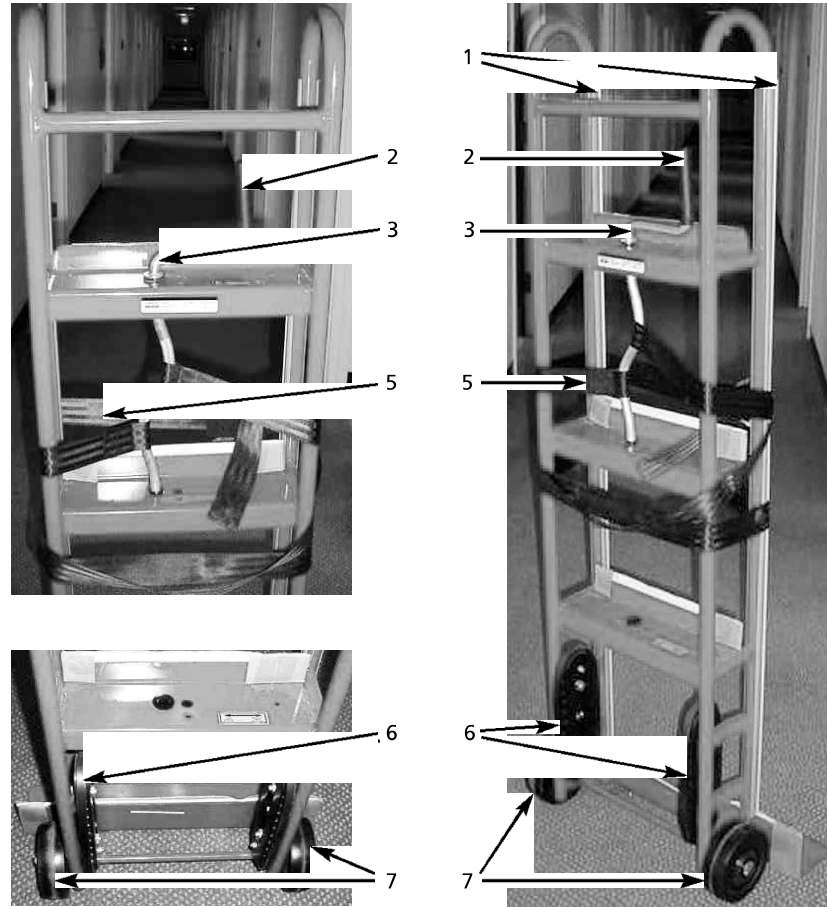


Figure 6 – Replacement Parts

Replacement Parts List

Ref. No.	Description	3W042I	QTY
1	Cushion Strip, Yellow/White	CS-042	2
2	Belt Tensioner Handle Foam Grip	HG-326	1
3	Belt Tensioner handle	BT-326	1
4	Belt Tensioner Hardware Kit (Includes 3 Plastic Bushings, 5 Steel Washers, 2 Cotter Pins)	BTHK-326	1
5	Belt Set with Buckle	B-042	1
6	Stair Climber Assembly, (Includes 2 Plastic Spacers, 2 Bolts, 4 Washers, 2 Lock Nuts)	SC-042	2
7	Wheel, Hard Rubber	W-042	2
8	Wheel Hardware Kit (Includes 1 Cotter Pin, 3 Washers)	WHK-042	2