

CALL US FIRST!

(517) 764-2300

- Questions?
- Need Assistance?
- Lose A Part?

We at Airmaster try to insure that your circulator arrives in excellent condition. Our Customer Service representatives are ready to help you with quick efficient service if a part is damaged or missing. **PLEASE DO NOT RETURN THE UNIT TO THE POINT OF PURCHASE.** Call us Monday thru Friday, 8:00 A.M. -- 5:00 P.M. Eastern Time.

If a replacement part is needed, in most cases it will leave our facility in 48 hours (weekends and holidays excluded).

PLEASE NOTE:

To help us assist you please have your instruction sheet available for the following numbers: Model Number, Part Number, Quantity and Description.

FOR PURCHASES OUTSIDE THE UNITED STATES: If you have a problem and you purchased your fan outside the United States, please refer back to your dealer for parts and assistance.

LIMITED ONE YEAR CONSUMER PRODUCT WARRANTY

Airmaster Fan Company warrants to the original consumer purchaser that this product is free from defects on material and workmanship for one year from provable date of purchase.

Airmaster Fan Company will repair or replace, at its option, defective parts at no charge, within this warranty period, provided the product is returned freight prepaid with proof of purchase date to: Airmaster Fan Company, 1300 Falahee Road, Jackson, MI 49203. The obligation under this warranty does not include responsibility for any transportation expenses. Product will be returned to consumer freight collect.

This warranty is void to any part that has been improperly installed, overloaded, abused or altered in any manner.

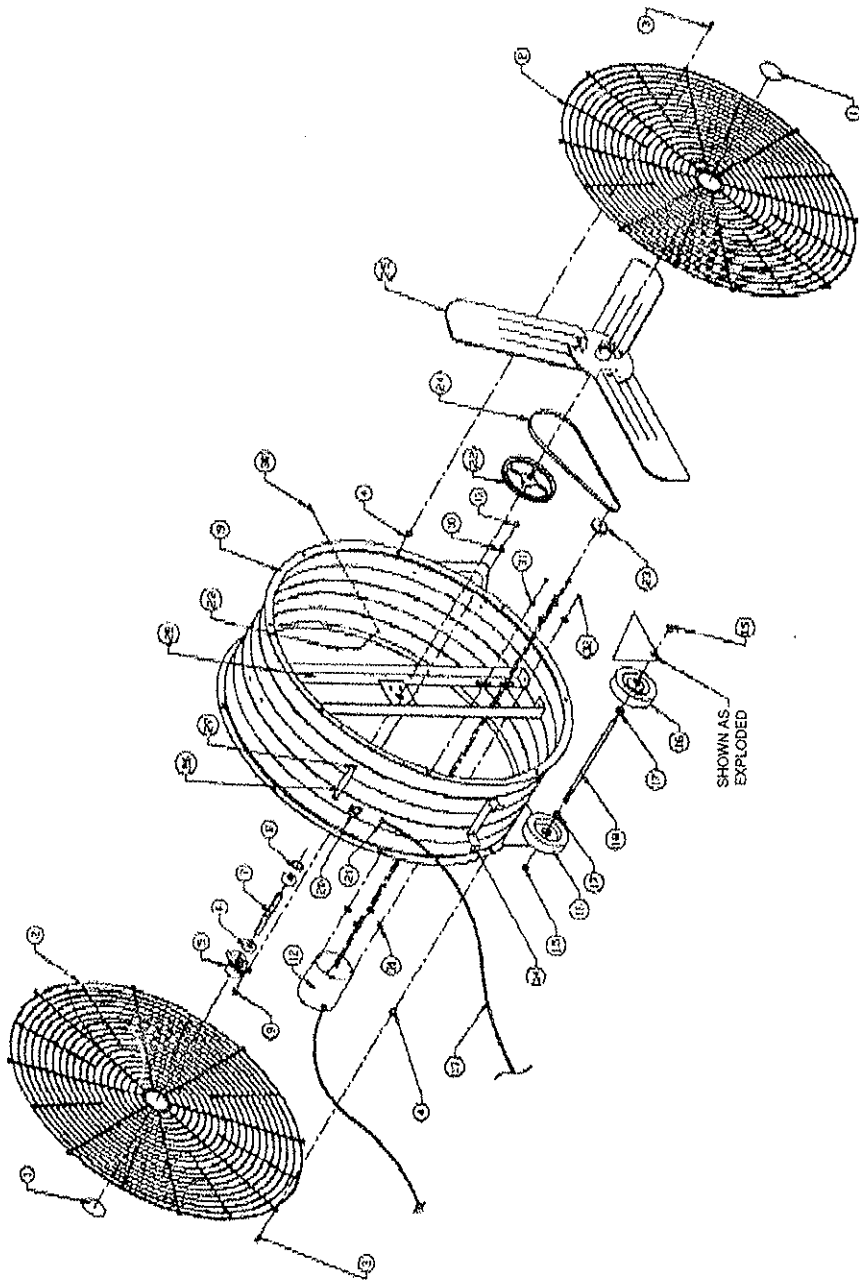
This warranty does not cover incidental or consequential damages arising from any defect of the product. Some states do not allow exclusion or limitation of incidental or consequential damages, so the above limitation or exclusion may not apply to you.

No one is authorized to assume any liability on behalf of Airmaster Fan Company or impose any obligation on the Company in connection with the sale of any product other than as outlined above.

This warranty gives you specific legal rights, and you may also have other rights which vary from state to state.



Jackson, Michigan 49203



NOTE:
READ INSTRUCTIONS CAREFULLY
BEFORE OPERATING THIS FAN.

REF. #	PART #	QUAN.	DESCRIPTION
1	03468	2	MEDALLION - AIRMASTER 6.00"
2	01824	2	GUARDS
3	06483	20	BOLT - SL. ROUND HEAD M6 x 1 x 16
4	06486	20	WELL - NUT - M6 x 1
5	04888	1	BEARING HOUSING (CASTING)
6	00265	2	BEARINGS
7	06472	1	SHAFT/BRG ASSEMBLY (5,6,7,8)
8	74197	1	SPRING WASHER
9	06490	4	BOLT - M10 x 1.5 x 30
10	06491	4	LOCK WASHER
11	06492	4	NUT - M10 x 1.5 x 8
12	06483	1	MOTOR - 1/2 HP, 1PH, ODP
13	01607	1	CORD
14	05024	1	CORD ROLL UP BRACKET
15	00297	2	END CAP F/500 AXLE
16	04914	2	WHEEL - 8" DIA. x 1.75" WIDE
17	06470	2	AXLE COLLAR
18	06496	1	AXLE F/EMC42D
19	06494	1	HOUSING ASSEMBLY
20	01722	1	SWITCH - ROCKER DBL P, DBL T
21	00427	1	STRAIN RELIEF
22	74232	1	DRIVEN PULLEY - 12"
23	74155	1	DRIVE PULLEY - 4"
24	82830	1	BELT - ASS
25	05242	1	PROPELLER
26	06495	1	HANDLE
27	06496	6	RIVET
28	06497	1	MOUNTING RAIL ASS'Y

 **WARNING SHOCK HAZARD!** 

READ AND SAVE THESE INSTRUCTIONS

INSPECTION

Before operating, inspect unit for any damage that may have occurred during transit. Check guards to see if they are securely fastened to the housing. Inspect power cords for damage to the jacket.

ASSEMBLY

Your Airmaster mancooler has been fully assembled at the plant. Just remove from cartoning, set up in desired location, attach to appropriate power source, and activate at the switch.

POWER SOURCE

Insure that the power source conforms to the electrical requirements of the mancooler (115 Volt, 60 Hz current, 15 Amp. min.). Follow all local safety and electrical codes regarding power source.

SAFE OPERATION



DO NOT USE GROUND ADAPTERS



DO NOT KINK CORD OR LET IT COME INTO CONTACT WITH SHARP EDGES, GREASE OR CHEMICALS



TURN SWITCH TO THE "OFF" POSITION BEFORE CONNECTING OR DISCONNECTING WITH THE POWER SOURCE



UNPLUG FAN TO MOVE OR SERVICE



DO NOT USE ANY SOLID STATE SPEED CONTROL DEVICES



DO NOT USE IN ANY FLAMMABLE, EXPLOSIVE OR CHEMICALLY LADEN ENVIRONMENT

CAUTION! AUTOMATICALLY OPERATED DEVICE – TO REDUCE THE RISK OF INJURY DISCONNECT FROM POWER SOURCE BEFORE SERVICING

WARNING! TO REDUCE THE RISK OF ELECTRIC SHOCK, DO NOT EXPOSE TO WATER OR RAIN

SPECIFICATIONS SUBJECT TO CHANGE WITHOUT NOTICE.

© 2003 AIRMASTER FAN COMPANY, JACKSON, MI 49203 1-517-764-2300