



# OWNER'S MANUAL

## JSJ-2 $\frac{1}{4}$ X Short Service Jack



**JET EQUIPMENT & TOOLS, INC.**  
A WMH Company  
[www.jettools.com](http://www.jettools.com)

P.O. BOX 1349  
Auburn, WA 98071-1349  
e-mail [jet@jettools.com](mailto:jet@jettools.com)

253-351-6000  
Fax 800-274-6840  
**M-454227 04/01**

# Important Information

**1 YEAR  
LIMITED WARRANTY**

**JET offers a one year limited  
warranty on this product**

## REPLACEMENT PARTS

Replacement parts for this tool are available directly from JET Equipment & Tools. To place an order, call 1-800-274-6848. Please have the following information ready:

1. Visa, MasterCard, or Discover Card number
2. Expiration date
3. Part number listed within this manual
4. Shipping address other than a Post Office box.

## REPLACEMENT PART WARRANTY

JET Equipment & Tools makes every effort to assure that parts meet high quality and durability standards and warrants to the original retail consumer/purchaser of our parts that each such part(s) to be free from defects in materials and workmanship for a period of thirty (30) days from the date of purchase.

## PROOF OF PURCHASE

Please retain your dated sales receipt as proof of purchase to validate the warranty period.

## LIMITED TOOL AND EQUIPMENT WARRANTY

JET makes every effort to assure that its products meet high quality and durability standards and warrants to the original retail consumer/purchaser of our products that each product be free from defects in materials and workmanship as follows: 1 YEAR LIMITED WARRANTY ON THIS JET PRODUCT. Warranty does not apply to defects due directly or indirectly to misuse, abuse, negligence or accidents, repairs or alterations outside our facilities or to a lack of maintenance. JET LIMITS ALL IMPLIED WARRANTIES TO THE PERIOD SPECIFIED ABOVE FROM THE DATE THE PRODUCT WAS PURCHASED AT RETAIL. EXCEPT AS STATED HEREIN, ANY IMPLIED WARRANTIES OR MERCHANTABILITY AND FITNESS ARE EXCLUDED. SOME STATES DO NOT ALLOW LIMITATIONS ON HOW LONG THE IMPLIED WARRANTY LASTS, SO THE ABOVE LIMITATION MAY NOT APPLY TO YOU. JET SHALL IN NO EVENT BE LIABLE FOR DEATH, INJURIES TO PERSONS OR PROPERTY OR FOR INCIDENTAL, CONTINGENT, SPECIAL OR CONSEQUENTIAL DAMAGES ARISING FROM THE USE OF OUR PRODUCTS. SOME STATES DO NOT ALLOW THE EXCLUSION OR LIMITATION OF INCIDENTAL OR CONSEQUENTIAL DAMAGES, SO THE ABOVE LIMITATION OR EXCLUSION MAY NOT APPLY TO YOU. To take advantage of this warranty, the product or part must be returned for examination, postage prepaid, to an authorized service station designated by our Auburn office. Proof of purchase date and an explanation of the complaint must accompany the merchandise. If our inspection discloses a defect, JET will either repair or replace the product or refund the purchase price, if we cannot readily and quickly provide a repair or replacement, if you are willing to accept such refund. JET will return repaired product or replacement at JET's expense, but if it is determined there is no defect, or that the defect resulted from causes not within the scope of JET's warranty, then the user must bear the cost of storing and returning the product. This warranty gives you specific legal rights, and you have other rights which vary from state to state.

**JET Equipment & Tools • P.O. Box 1349, Auburn, WA 98071-1349 • (206) 351-6000**

 **WARNING**

1. This is a lifting device only. Do not move or dolly the vehicle while on the jack. The load shall be supported immediately by jack stands, or other appropriate means.
2. Do not overload. Overloading can cause damage to or failure of the jack.
3. Lift only on areas of the vehicle specified by the vehicle manufacturer.
4. This jack is designed for use on hard, level surfaces capable of sustaining the load. Use on other than hard, level surfaces can result in jack instability and possible loss of load.
5. Do not get under vehicle while jack is being used as the only support.
6. If jack needs service, contact JET Consumer Relations at 1-800-274-6848 for the location of your nearest JET Authorized Repair Station.
7. Use only genuine JET factory replacement parts when replacement of parts is necessary.
8. Failure to comply with all of these warnings may result in loss of load, damage to jack, and/or failure resulting in personal injury or property damage.

**Specifications:**

**JSJ-2-1/4X**

Stock Number.....	454227
Rated Capacity .....	2-1/4 Ton
Minimum Height .....	4½”
Maximum Height .....	19-1/4”
Saddle Diameter.....	4-3/4”
Overall Length.....	26-1/2”
Overall Width .....	13-7/8”
Handle Length (2 pc) .....	39-7/8”
Net Weight (approx.) .....	83 lbs.
Shipping Weight (approx.) .....	88 lbs.

**Assembly**

**Note:** refer to parts breakdown, on page 5 for index numbers found in parenthesis (#):

1. Insert Upper Handle (34) into Lower Handle (32) and fasten with Hex Cap Bolt (31).
2. Loosen Handle Bolt (25).
3. Insert handle assembly into Handle Socket (27). Make sure handle assembly engages Gear Shaft (29) by turning handle back and forth and observing movement of Release Valve Gear (23).
4. Tighten Handle Bolt (25) to secure handle assembly.

**Lubrication**

**Note:** Before initial operation, and periodically to ensure smooth operation. Lubricate the jack as points 1 through 6 are indicated in Fig. 1, Page 4.

1. Handle - use 30W oil on release valve gears below handle and lightly grease handle at point where it fits into socket with #2 tube grease.

2. Wheels - use 30W oil on axles and caster bearings.
3. Lifting Arm - inject #2 tube grease into grease fitting.
4. Saddle and Linkage - use 30W oil on all moving and pivoting parts.
5. Handle Socket Pivot Bolts - lubricate with 30W oil.
6. Plunger and Plunger Pin - Use #2 tube grease to lubricate connection between pump plunger and pin in handle socket.

### Lubrication Points

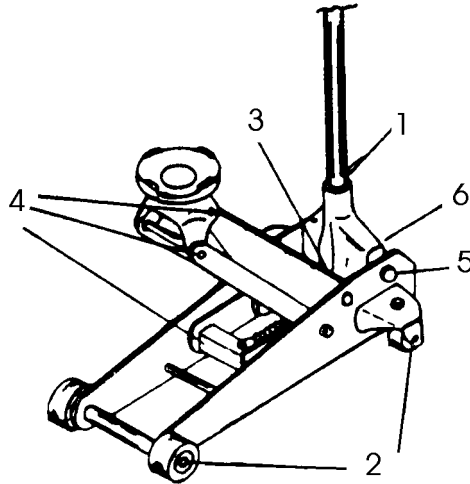


Figure 1

### Operating Instructions

**Important:** Sometimes during shipment and handling, air gets into the hydraulic system, causing poor lifting performance. Before initial operation, purge any air from the system by fully opening pump release valve (turn handle counter-clockwise). Then, while holding the saddle down, pump handle rapidly several times.

#### Raising the Jack

1. Turn handle clockwise until resistance is felt to close release valve. Do not over tighten.
2. Place jack directly under object to be lifted. Make sure saddle accepts weight firmly and centrally. Check positioning under slight load to confirm jack or load will not slip, or move suddenly.
3. Raise jack by pumping handle until desired height is reached. After lifting, secure and transfer load to jack stands or other appropriate means. Do not use jack as the only means of support.

#### Lowering the Jack

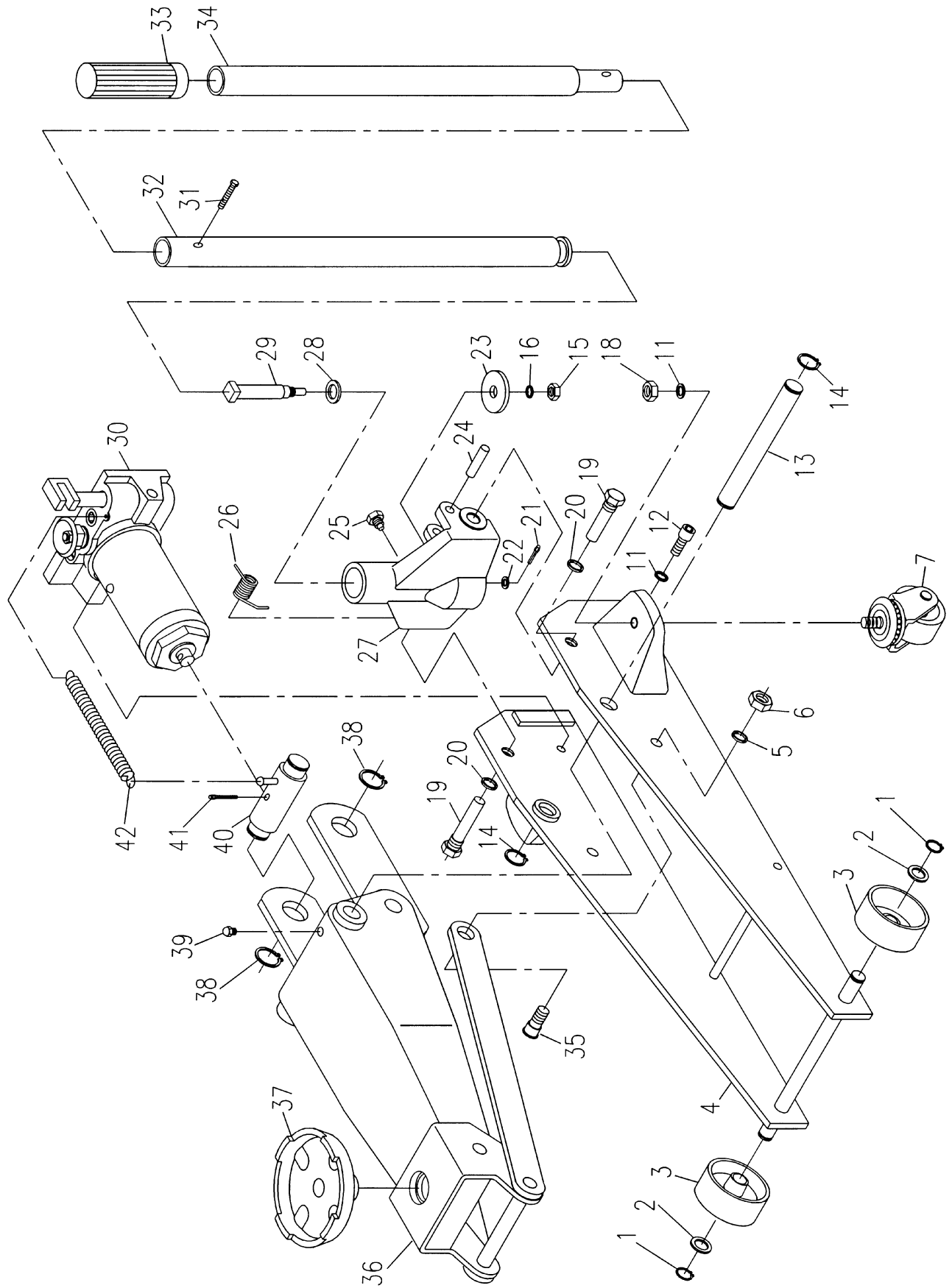
1. Slowly turn handle counter-clockwise. Speed of descent is controlled by amount release valve is turned.

Always store jack in the fully lowered position, and the handle in the upright position.

#### Troubleshooting

If jack fails to raise to its height limit, fill pump reservoir with just enough good quality hydraulic jack fluid so that jack raises to its height limit.

# Main Body Assembly

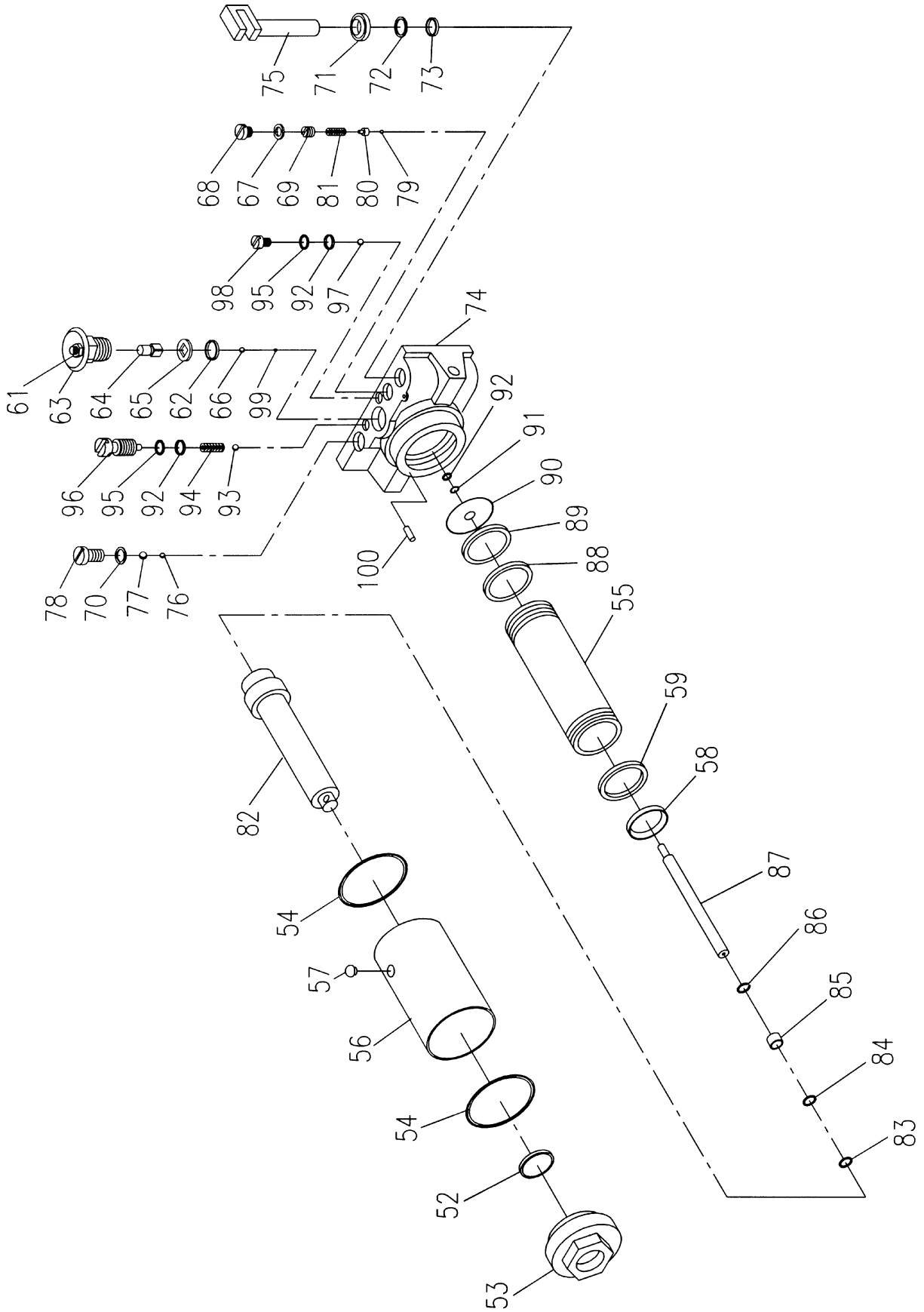


## Main Body Assembly

Index No.	Part No.	Description	Size	Qty.
1	JSJ21/4X-1	C-Clip *	M19	2
2	JSJ21/4X-2	Washer	M19	2
3	JSJ21/4X-3	Front Caster *		2
4	JSJ21/4X-4	Side Plate Assembly		1
5	JSJ21/4X-5	Lock Washer	M16	2
6	JSJ21/4X-6	Hex Nut	M16	2
7	JSJ21/4X-7	Swivel Caster Assembly *		2
11	JSJ21/4X-11	Lock Washer	M12	4
12	JSJ21/4X-12	Screw	M12x2	2
13	JSJ21/4X-13	Arm Shaft		1
14	JSJ21/4X-14	C-Clip	M25	2
15	JSJ21/4X-15	Hex Nut	M10	1
16	JSJ21/4X-16	Washer	M10	1
18	JSJ21/4X-18	Hex Nut	M12	2
19	JSJ21/4X-19	Bolt	M18	2
20	JSJ21/4X-20	Lock Washer	M18	2
21	JSJ21/4X-21	Pin	M3x16	1
22	JSJ21/4X-22	Washer	M10	1
23	JSJ21/4X-23	Release Valve Gear *		1
24	JSJ21/4X-24	Pin		1
25	JSJ21/4X-25	Bolt		1
26	JSJ21/4X-26	Torsion Spring *		1
27	JSJ21/4X-27	Handle Socket		1
28	JSJ21/4X-28	Washer	M16	1
29	JSJ21/4X-29	Gear Shaft		1
30	JSJ21/4X-30	Power Unit Assembly		1
31	JSJ21/4X-31	Bolt *	M6x35	1
32	JSJ21/4X-32	Lower Handle *		1
33	JSJ21/4X-33	Handle Grip *		1
34	JSJ21/4X-34	Upper Handle *		1
35	JSJ21/4X-35	Bolt	M16	2
36	JSJ21/4X-36	Lifting Arm Assembly		1
37	JSJ21/4X-37	Saddle *		1
38	JSJ21/4X-38	Retainer Ring	M25	2
39	JSJ21/4X-39	Grease Fitting		1
40	JSJ21/4X-40	Link		1
41	JSJ21/4X-41	Pin	M6x3.5	1
42	JSJ21/4X-42	Return Spring *		1
	JSJ21/4X-ID	I.D. & Warning Label (not shown)		1

\* indicates normal stocked part. Other parts may be purchased on a special order basis only. Contact JET Equipment & Tools (1-800-274-6848) for details.

# Power Unit Assembly



## Power Unit Assembly

Index No.	Part No.	Description	Qty.
	JSJ21/4X-30	Power Unit Assembly	1
52	JSJ21/4X-52	O-ring	1
53	JSJ21/4X-53	Tank Nut	1
54	JSJ21/4X-54	O-ring *	1
55	JSJ21/4X-55	Cylinder	1
56	JSJ21/4X-56	Oil Tank	1
57	JSJ21/4X-57	Oil Fill Plug *	1
58	JSJ21/4X-58	U-cup *	1
59	JSJ21/4X-59	O-ring *	1
61	JSJ21/4X-61	Gear Retaining Nut	M8 1
62	JSJ21/4X-62	O-ring *	1
63	JSJ21/4X-63	Release Valve Assembly	1
64	JSJ21/4X-64	Valve Stem	1
65	JSJ21/4X-65	Guide Plate *	1
66	SB-6MM	Ball	M6 1
67	JSJ21/4X-67	Seal Washer *	M12 1
68	JSJ21/4X-68	Screw	M12x20 1
69	JSJ21/4X-69	Adjustment Screw	M10x1 1
70	JSJ21/4X-70	Seal Washer *	M12 1
71	JSJ21/4X-71	Wiper *	1
72	JSJ21/4X-72	Back-up Ring *	M16 1
73	JSJ21/4X-73	O-ring *	M16x2.4 1
74	JSJ21/4X-74	Base	1
75	JSJ21/4X-75	Piston Pump	1
76	SB-6MM	Ball	M6 1
77	JSJ21/4X-77	Ball	1
78	JSJ21/4X-78	Screw	M12x25 1
79	SB-4MM	Ball	M4 1
80	JSJ21/4X-80	Adapter	1
81	JSJ21/4X-81	Spring	1
82	JSJ21/4X-82	Ram	1
83	JSJ21/4X-83	O-ring *	M14x2.65 1
84	JSJ21/4X-84	Washer	M14 1
85	JSJ21/4X-85	Back-up Ring	M14 1
86	JSJ21/4X-86	Spring	M18 1
87	JSJ21/4X-87	Ram	1
88	JSJ21/4X-88	Back-up Ring *	M52 1
89	JSJ21/4X-89	O-ring *	M52x2.4 1
90	JSJ21/4X-90	Cylinder Gasket	M50 1
91	JSJ21/4X-91	Spring	15 1
92	JSJ21/4X-92	O-ring	M6.6x3 3
93	SB-3MM	Ball	M3 1
94	JSJ21/4X-94	Spring	1
95	JSJ21/4X-95	Back-up Ring *	M12 2
96	JSJ21/4X-96	Screw	M10 1
97	SB-6MM	Ball	M6 1
98	JSJ21/4X-98	Screw	M10 1
99	SB-4MM	Ball	M4 1
100	JSJ21/4X-100	Pin	3x22 1
	JSJ21/4X-RK	Repair Kit (* indicates included in repair kit)	1

\* indicates normal stocked part. Other parts may be purchased on a special order basis only. Contact JET Equipment & Tools (1-800-274-6848) for details.





## TEST CERTIFICATE

COMMODITY	Short Body Service Jack
MODEL	JSJ-2 1/4X
SERIAL NO.	
CAPACITY	2-1/4 Ton
TEST LOAD	2-1/4 Ton
DATE OF INSPECTION	
JUDGEMENT	<b>PASSED</b>
INSPECTOR	